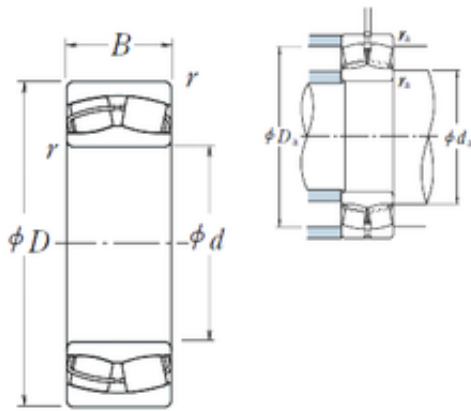




Liaocheng City Hsn Bearing Co., Ltd.



180 mm x 300 mm x 118 mm NSK 24136CE4 Spherical Roller Bearing

Bearing No. 24136CE4

24136CE4 Bearing 2D drawings and 3D CAD models

Size	180x300x118 mm
Bore Diameter	180 mm
Outer Diameter	300 mm
Width	118 mm
d	180 mm
D	300 mm
B	118 mm
C	118 mm
r min.	3 mm
da min.	194 mm
da max	202 mm
Da min	255 mm
Da max.	286 mm
ra max.	2,5 mm
Weight	33,1 Kg
Basic dynamic load rating (C)	1190 kN
Basic static load rating (C0)	2040 kN
(Grease) Lubrication Speed	900 r/min
(Oil) Lubrication Speed	1200 r/min
Calculation factor (e)	0,37
Calculation factor (Y0)	1,8
Calculation factor (Y2)	2,7
Category	Spherical Roller Bearings
Inventory	0.0
Manufacturer Name	NSK



Liaocheng City Hsn Bearing Co., Ltd.

Minimum Buy Quantity	N/A
Weight / Kilogram	33
Product Group	B04311
Internal Clearance	C0-Medium
Mounting Method	Shaft Mount
Rolling Element	Spherical Roller Bearing
Bore Profile	Straight
Cage Material	Steel
Enclosure	Open
Number of Rows of Rollers	Double Row
Relubricatable	Yes
Withdrawal Sleeve	Not Applicable
Inch - Metric	Metric
Long Description	180MM Straight Bore; 300MM Outside Diameter; 118MM Width; C0-Medium Clearance; Shaft Mount; Double Row of Spherical Roller Bearings; Steel Cage Material; Open Enclosure; Relubricatable
Category	Spherical Roller Bearing
UNSPSC	31171510
Harmonized Tariff Code	84823080
Noun	Bearing
Keyword String	Spherical
Manufacturer URL	http://www.nskamericas.com
Manufacturer Item Number	24136CE4
Weight / LBS	33
Adapter Part Number	Not Applicable Inch Not Applicable Millimeter
Outside Diameter	11.811 Inch 300 Millimeter
Width	4.646 Inch 118 Millimeter
Bore	7.087 Inch 180 Millimeter



Liaocheng City Hsn Bearing Co., Ltd.

Y3	1.8
hidYobi	24136CE4
LangID	1
Y1	1.8
D_	300
Y2	2.7
Macha rpm	0
B_	118
da min	194
hidTable	ecat_NSSPHR
Oil rpm	1200
Y0	1.8
mass	33.1
GRS rpm	900
ra	2.5
TSR rpm	1100
C0	2040
DE_	270.033
X0	1
Prod_Type3	SRB_CTB_CB
X1	1
X2	0.67
SIR	46
e	0.37
DA_	30.5
bomp	24136CE4
Z_	20
ALP2	45
ALP1	13
ALP3	0
D_a max	286
D_a min	255



Liaocheng City Hsn Bearing Co., Ltd.

yobi	24136CE4
ALPHA_	0.24
SDM_	240.407
r	3
KBRG	2322
SBRG	41
DI_	210.781